

USE OF FLORAL FOAM TO BE ADVISED.

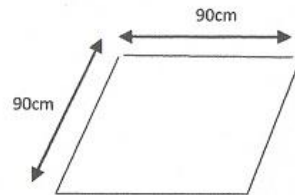
SCHEDULE

ALL CLASSES IN THIS SCHEDULE ARE TO BE REGARDED AS EXHIBITS

FANTASIA

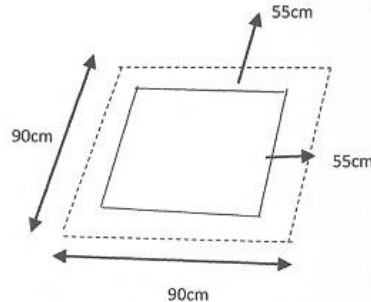
CLASS 1 FANTASIA

Space allowed - width 90cm x depth 90cm x height optional (not to exceed 190cm from the floor). Staged at ground level on a black base. To be displayed against a pale grey drape. **Open to clubs affiliated to NAFAS.** **Two people may stage this exhibit.** Viewed and judged from the front.



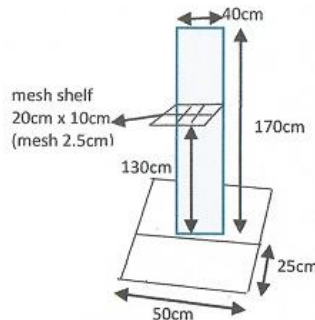
CLASS 2 WHERE HAVE ALL THE FLOWERS GONE PEDESTAL CLASS

Space allowed - width 90cm x depth 90cm x height 180cm. Staged on a 55cm square black base. To be displayed against a pale grey drape. Competitors to supply own staging. Foliage to predominate. Viewed and judged from the front.



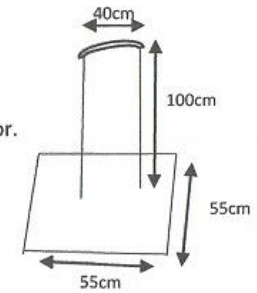
CLASS 3 PIZZAZZ

Space allowed - width 50cm x depth 25cm x height optional. Not to exceed 170cm from the base. Staged on a black back board width 40cm x height 170cm from the black base. With a mesh shelf width 20cm x depth 10cm attached to the back board 130cm from the base (size of mesh 2.5cm). Viewed and judged from the front.



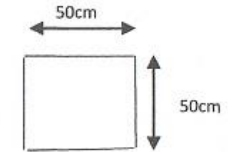
CLASS 4 FLIGHT OF FANCY

Space allowed width 55cm x depth 55cm x height optional. Staged on a pale green, 55cm square table, 45cm from the floor. To include a, (provided) black metal trellis attached to the table diagonally. Trellis approx. width 40cm x approx. height 100cm. Viewed all round and judged from the front. Further details on acceptance of entry.



CLASS 5 ALL OF A WHIRL NOVICE & JUNIOR CLASS

Space allowed - width 50cm x depth 50cm x height optional not to exceed 100cm from table top. Staged on a grey base width 50cm x depth 50cm. Displayed against a pale grey drape. Viewed and judged from the front. **Novice:** Open to exhibitors who have not achieved a 1st, 2nd or 3rd prize in a RHS Wisley Show. **Juniors:** Open to juniors age 16 or under. Age to be stated on entry form.

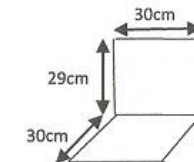


CLASS 6 FAN-TAS-TIQUE CRAFT EXHIBIT - A FAN

Space allowed - width 40cm x depth 30cm x height optional. To be brought ready assembled. Viewed and judged from the front. Further details on acceptance of entry.

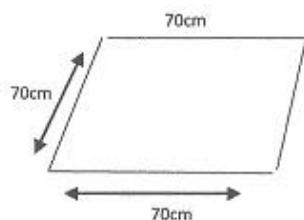
CLASS 7 FAIRY MAGIC CRAFT EXHIBIT

Space allowed width 30cm x depth 30cm x height 29cm. Staged on a mirrored background and mirrored base, width 30cm x depth 30cm x height 29cm. May be brought already assembled. Viewed and judged from the front.



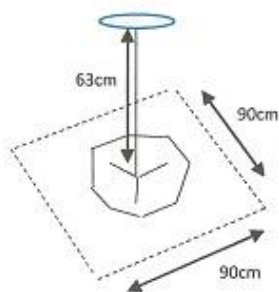
CLASS 8
PEARLS OF WISLEY
 A LANDSCAPE EXHIBIT
 CELEBRATING 30th ANNIVERSARY OF
 THE WISLEY GARDEN FLOWER SHOW

Space allowed - width 70cm x depth 70cm
 x height optional.
 Staged on tabling on a green base width 70cm
 x depth 70cm.
 Viewed all round and judged from the front.



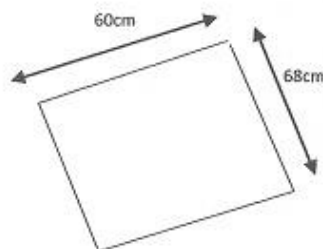
CLASS 9
FIESTA

Space allowed width 90cm x depth 90cm x height optional.
 Staged on a (provided) black wrought iron stand
 approx. 63cm high with a top bowl 18cm diameter
 x depth 4cm placed on an octagonal black base 25cm
 from the floor, width 60cm x depth 60cm.
 Viewed all round and judged from the front.
 Further details on acceptance of entry.



CLASS 10
IN MY IMAGINATION
 IMPOSED CLASS

Space allowed width 60cm x depth 68cm height 100cm.
 Staged on tabling.
 Material charge £30
 Viewed and judged from the front
 Further details on acceptance of entry.



CLASS 11
HANGING AROUND
 CRAFT EXHIBIT – A NECKLACE

Staged on a black stand width 18cm height 21cm.
 Viewed and judged from the front.
 Further details on acceptance of entry.
 Plant material to predominate.

JUDGES

Pip Bensley

Debbie Wadge

PRIZE GIVING

Certificates will be presented by the RHS.

on Sunday 11th September.

All are welcome.

PRIZES

Class 1	£150	£100	£50
Class 2	£60	£40	£30
Class 3	£70	£50	£30
Class 4	£70	£50	£30
Class 5	£50	£30	£20
Class 6	£30	£20	£15
Class 7	£30	£20	£15
Class 8	£60	£40	£30
Class 9	£70	£50	£30
Class 10	£60	£40	£30
Class 11	£30	£20	£15

Best in Show £60
 (Excludes classes 6, 7 & 11)

Best Use of Colour £50

Judges' Choice £50

Popular vote £50

REGULATIONS

1. The Competition is open to members of Clubs and Societies affiliated to NAFAS including International Affiliates, overseas members of the London & Overseas Area and Individual members.
2. All exhibits will be judged in accordance with NAFAS Competitions Manual – Third Edition 2015 with NAFAS amendment issued July 2016. All competition cards will be placed face downwards on the show staging until judging is completed.
Award and comment cards must remain in situ for the duration of the Show.
The Judges' decisions are final.
3. Exhibits must be staged within the space allocated and must be the competitor's own original work and not previously exhibited anywhere in its entirety. **Items requiring special time or expertise for their preparation may be brought constructed for incorporation in the exhibit in moderation. Additional backgrounds are not permitted. Nothing is to be glued to any part of the staging. Paper covered wire or cable ties may be used. Classes 6, 7 and 11 MAY be brought already assembled.**
4. All exhibits and personal property will be at the risk of the competitor. The organisers will not be held liable for any loss or damage due to any cause whatsoever.
5. Entries for all classes must be on the official entry form and returned to the **Show Secretary BETWEEN MONDAY 6th JUNE AND SATURDAY 18th JUNE, NOT BEFORE AND NOT AFTER. A RETURNABLE DEPOSIT OF £25 (payable to the Surrey Area of NAFAS Wisley) MUST BE SENT FOR EACH ENTRY** (a separate cheque for each entry please). S.A.E. is not required. A £4 CASH entry fee per class is payable on staging day. Failure to stage the entry/entries at the Show will result in the loss of the deposit.
6. An individual competitor may apply to enter up to 3 classes, one class must be a craft class. Only one entry is allowed from any single competitor in any one class. Applicants should mark their form **CLEARLY** showing the number of classes they wish to enter.

7. Any class oversubscribed will be balloted.
8. **Staging: Monday 5th September from 7.30am to 12.30pm.**
See enclosed information sheet for entry details. Car parking is free.
Phone calls must not be made or received in the Marquee.
9. Non-competitors are not permitted in the staging area during staging times.
10. Table heights: Unless otherwise stated these are 70cm from the ground, draped in pale grey material. **All measurements are approximate. Diagrams are a guide only and not to scale.**
11. Marquee flooring: Wooden, covered with grey carpet.
12. Display materials: colour samples will be sent where appropriate on acceptance of entry, together with any staging details as necessary.
13. **Dismantling: Sunday 11th September after prize giving.**
14. Aerosol sprays may not be brought into the Marquee or used anywhere within the grounds of R.H.S. Wisley Gardens.
15. Paint colours: Black matt emulsion - B&Q Black Liberty
Green matt emulsion – B&Q Galway Green
Grey matt emulsion – B&Q Hamptons Grey
16. Maintenance of exhibits: All exhibits must be staged in suitable containers and with secure mechanics to ensure a pristine condition is maintained throughout the duration of the show. **Competitors may water their exhibits at any time.**
17. If you require any further information regarding the schedule, contact Pamela Askew on 01737 817779 or Marcia Atkinson on 01293 270681.
These tel. numbers are not be disclosed to anyone without permission.

SHOW COMMITTEE

Pamela Askew (Chairman), Alison Honor (Vice-Chairman),
Anne Peck, Sue Long, Pat George, Marcia Atkinson, Monica Read
Wendy Jolley and Margaret Trepant.



SURREY AREA SHOW

29th - 30th October 2022



FLORAL ALCHEMY

Saturday 29th October 2022
Staging
Judging

Sunday 30th October 2022
Show Open Day Admission £5.00 10am - 4pm
Prize Giving 3.30pm

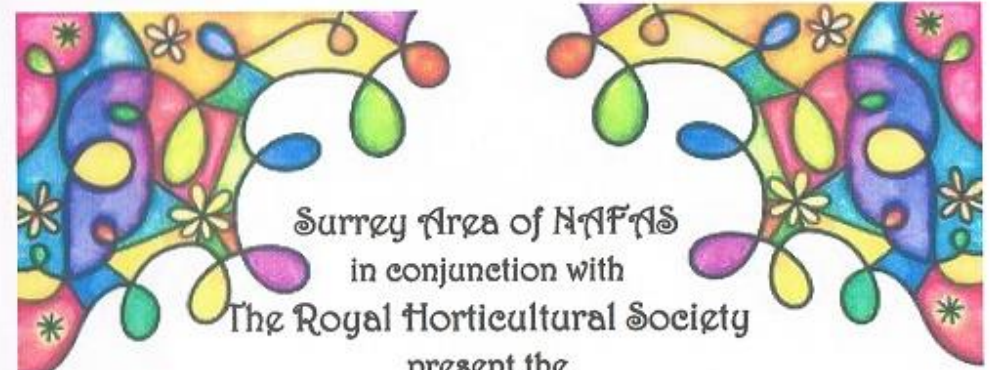
Cakes / Sales Tables Demonstrations Raffle

Horsley Towers
Ockham Road South
East Horsley
KT24 6DT

Enquiries : show2022surreyNAFAS@gmail.com

SUPPORTING

OCTOBER



Surrey Area of NAFAS
in conjunction with
The Royal Horticultural Society
present the
RHS Wisley Garden Flower Show

FANTASIA

6th - 11th September 2022

in the Floral Marquee
open to all members affiliated to
NAFAS



www.surreynafas.org.uk