

FLOWERS *for* FLORISTS Ltd.



**Flowers at Wholesale Prices to
the Trade and Public.**



Flower Clubs Welcome

Beautiful Fresh Flowers for whatever your event or need:

We also stock a wide range of Silk Flowers, Floral Supplies
and Florist Sundries.

Why not join us for one of our monthly flower
workshops?

Whether you want to do it all yourself or want an
expert to do it for you. We are the place to visit
for all your Flower needs.

Open 7 Days a week. –

Open to the Public no account needed

Mon to Fri 7.30am to 4.00pm, Sat 9am to 4.00pm, Sun 10am to 4pm

Telephone: 01342 892 743,

Email: sales@flowersforflorists.co.uk Web/FB: Flowersforflorists.co.uk

Eastbourne Road, South Godstone, Surrey, RH9 8JB. (Just after South
Godstone on A22 South)

Surrey Area of NAFAS
in conjunction with
The Royal Horticultural Society
present the
RHS Wisley Garden Flower Show

‘WISH YOU
WERE HERE’

2nd - 7th September 2025

in the Floral Marquee
open to all members
affiliated to NAFAS

www.surreynafas.org.uk

**THE ONLY FLORAL FOAM WHICH MAY BE USED
IS FIBRE FLORAL OR AGRA WOOL.**

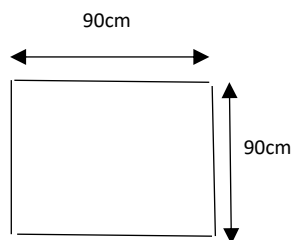
SCHEDULE

ALL CLASSES IN THIS SCHEDULE ARE TO BE REGARDED AS EXHIBITS

‘WISH YOU WERE HERE’

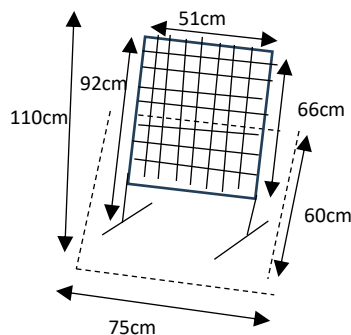
**CLASS 1
WISH YOU WERE HERE
INTER-SOCIETY**

Space allowed - width 90cm x depth 90cm
x height optional (not to exceed 190cm from the floor).
Staged on a pale blue base width 90cm x depth 90cm.
To be displayed against a pale grey drape.
Open to clubs affiliated to NAFAS.
Two people may stage this exhibit.
Viewed and judged from the front.



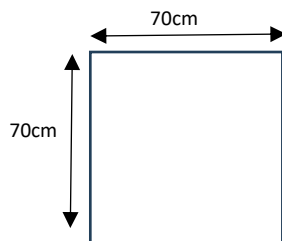
**CLASS 2
THE SILK ROAD**

Space allowed - width 75cm x depth 60cm x height 110cm.
Staged on a black mesh screen width 51cm x height 66cm,
overall height 92cm.
Open staging on tabling covered in a pale grey drape.
No table placements are allowed.
Further details on acceptance of entry.
Viewed and judged all round.



**CLASS 3
MOULIN ROUGE**

Space allowed - width 70cm x depth 70cm
x height optional.
Staged on a black base width 70cm x depth 70cm.
Viewed and judged all round.



8. Any class oversubscribed will be balloted.
9. **Staging: Monday 1st September from 7.30am to 12.30pm.**
See enclosed information sheet for entry details. Car parking is free. **Phone calls must not be made or received in the Marquee.**
10. Non-competitors are not permitted in the staging area during staging times.
11. Table heights: Unless otherwise stated these are 70cm from the ground, draped in pale grey material. **All measurements are approximate. Diagrams are a guide only and not to scale.**
12. Marquee flooring: Wooden, covered with grey carpet.
13. Display materials: colour samples will be sent where appropriate on acceptance of entry, together with any staging details as necessary.
14. **Dismantling: Sunday 7th September after prize giving.**
15. Aerosol sprays may not be brought into the Marquee or used anywhere within the grounds of R.H.S. Wisley Gardens.
16. Paint colours: Black matt emulsion - B&Q Black Liberty
Pale blue emulsion - Dulux First Dawn
Terracotta emulsion - Dulux Copper Blush
Purple emulsion – Wicks Purple Passion (720)
17. Maintenance of exhibits: All exhibits must be staged in suitable containers and with secure mechanics to ensure a pristine condition is maintained throughout the duration of the show. **Competitors may water their exhibits at any time.**
18. If you require any further information regarding the schedule, contact Alison Honor on 07702617646 email:- alisonhonor@hotmail.co.uk or Dr. Christina Curtis 07880232507 email:- r.curtis2@sky.com
These tel. numbers are not to be disclosed to anyone without permission.

SHOW COMMITTEE

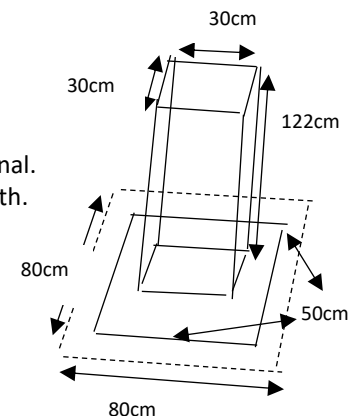
Alison Honor (Chairman), Pamela Askew,
Anne Peck, Sue Long, Pat George, Marcia Atkinson, Monica Read,
Wendy Jolley, Dr. Christina Curtis and Claire Bryant.

REGULATIONS

1. The Competition is open to members of Clubs and Societies affiliated to NAFAS including International Affiliates, overseas members of the London & Overseas Area and Individual members.
2. All exhibits will be judged in accordance with NAFAS Competitions Manual – 4th Edition 2023. All competition cards will be placed face downwards on the show staging until judging is completed.
Award and comment cards must remain in situ for the duration of the Show.
The Judges' decisions are final.
3. Exhibits must be staged within the space allocated and must be the competitor's own original work and not previously exhibited anywhere in its entirety. **Items requiring special time or expertise for their preparation may be brought constructed for incorporation in the exhibit in moderation. Additional backgrounds are not permitted. Nothing is to be glued to any part of the staging. Paper covered wire or cable ties may be used. Classes 4, 7 and 10 MAY be brought already assembled.**
4. All exhibits and personal property will be at the risk of the competitor. The organisers will not be held liable for any loss or damage due to any cause whatsoever.
5. Entries for all classes must be on the official entry form and returned **BETWEEN SATURDAY 24th MAY AND MONDAY 9th JUNE. A RETURNABLE DEPOSIT OF £25 (payable to the Surrey Area of NAFAS Wisley) MUST BE SENT FOR EACH ENTRY** (a separate cheque for each entry please). S.A.E. is not required. A £4 CASH entry fee per class is payable on staging day. Failure to stage the entry/entries at the Show will result in the loss of the deposit.
6. Material charges for class 4 (£7.50) and class 10 (£5) **MUST** be included with the entry application.
7. **An individual competitor may apply to enter up to 3 classes.** Only one entry is allowed from any single competitor in any one class. Applicants should mark their form **CLEARLY** showing the number of classes they wish to enter.

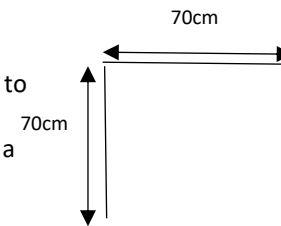
CLASS 4 MARDI GRAS CRAFT CLASS

Space allowed - width 80cm x depth 80cm x height optional.
Staged on a black swan necked head on a solid black plinth.
width 30cm x depth 30cm x height 122cm, placed on a black base width 50cm x depth 50cm.
Exhibit may flow down the side of the plinth.
No floor placements allowed.
Viewed all round and judged from the front.
Exhibit may be bought ready assembled.
Further details on acceptance of entry.
Cost of head £7.50.



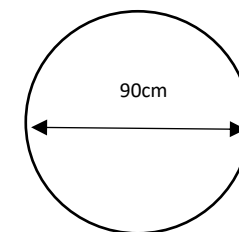
CLASS 5 BOLLYWOOD

Space allowed - width 70cm x depth 70cm x height optional (not to exceed 190cm).
Staged on a base - width 70cm x depth 70cm. painted beige with a gold shimmer, against a pale grey drape.
Viewed and judged from the front.



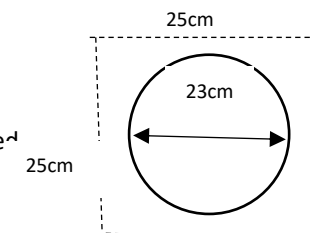
CLASS 6 HIGHLAND FLING

Space allowed - approx. 90cm in diameter x height optional.
Staged on a purple base 90cm in diameter.
Two people may stage this exhibit, not necessarily from the same club.
Viewed and judged all round.



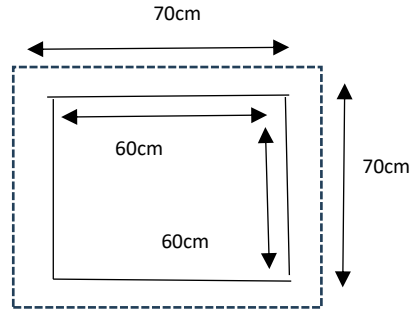
CLASS 7 IT'S A SMALL WORLD PETITE CLASS

Space allowed - width 25cm x depth 25cm x height 37.5cm.
Staged on a pale blue 23cm diameter base on tableting covered with a grey drape.
May be brought ready assembled.
Viewed all round and judged from the front.



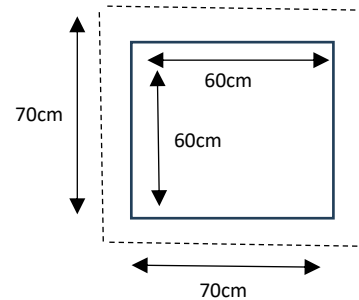
**CLASS 8
DOWN UNDER**

Space allowed - width 70cm x depth 70cm x height optional. (not to exceed 100cm from table top).
To be staged on **two levels** on a 60cm terracotta square base.
On tabling, against a pale grey drape.
Viewed and judged from the front.



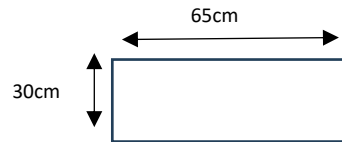
**CLASS 9
EMERALD ISLE**

Space allowed - width 70cm x depth 70cm x height optional.
Staged on tabling, on a pale blue base width 60cm x depth 60cm.
Viewed all round and judged from the front.
Not open to teachers, demonstrators, judges or florists.



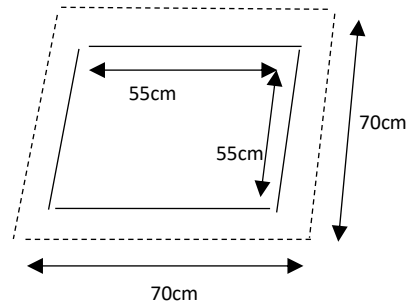
**CLASS 10
SERENGETI
COLLAGE CLASS**

Space allowed - width 65cm x height 30cm.
Staged on a 6mm MDF board (supplied) width 65cm x height 30cm, displayed horizontally.
May be brought ready assembled.
Further details on acceptance of entry.
Cost £5.
Viewed and judged from the front.



**CLASS 11
I DO LIKE TO BE BESIDE THE.....
SEASCAPE CLASS**

Space allowed - width 70cm x depth 70cm x height optional.
Staged on a pale blue, 55cm square table, 45cm from the floor.
Viewed and judged from the front.



JUDGES

Pip Bensley

Debbie Wadge

PRIZE GIVING

Certificates will be presented by the RHS.

on Sunday 7th September.

All are welcome.

PRIZES

Class 1	£120	£90	£50
Class 2	£60	£40	£30
Class 3	£70	£50	£30
Class 4	£40	£20	£15
Class 5	£70	£50	£30
Class 6	£70	£50	£30
Class 7	£40	£20	£15
Class 8	£60	£40	£30
Class 9	£60	£40	£30
Class 10	£40	£20	£15
Class 11	£60	£40	£30

Best in Show £60
(Excludes classes 4,7, 10)

Best Use of Colour £50

Judges' Choice £50

Popular vote £50